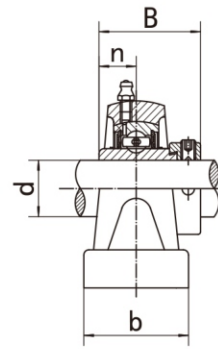
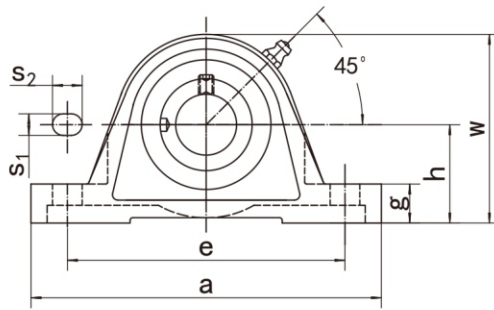


# Pillow Blocks

## HCASE2 (Normal-duty)



Unit NO.	Dimensions ( mm / in. )											Bolt Size mm/in.	Bearing No.	Housing No.	Weight (kg)
	d	h	a	e	b	s1	s2	g	w	B	n				
HCASE201	12	33.3	130	97	32	11	19	10	64	43.7	17.1	3/8	HC201RG	ASE201	0.64
HCASE202	15	1-5/16	5-1/8	3-13/16	1-17/64	7/16	3/4	25/64	2-33/64	1.720	0.673		HC202RG	ASE202	
HCASE203	17												HC203RG	ASE203	
HCASE204	20												HC204RG	ASE204	
HCASE205	25	36.5	130	103	36	11	19	14.5	70	44.4	17.5	3/8	HC205RG	ASE205	0.75
		1-7/16	5-1/8	4-1/16	1-27/64	7/16	3/4	37/64	2-3/4	1.748	0.689				
HCASE206	30	42.9	158	118	40	14	22	17	82	48.4	18.3	7/16	HC206RG	ASE206	1.13
		1-11/16	6-7/32	4-41/64	1-37/64	35/64	55/64	43/64	3-15/64	1.906	0.720				
HCASE207	35	47.6	163	126	45	14	21	19	93	51.1	18.8	7/16	HC207RG	ASE207	1.57
		1-7/8	6-27/64	4-61/64	1-49/64	35/64	53/64	3/4	3-21/32	2.012	0.740				
HCASE208	40	49.2	179	138	48	14	26	19	99	56.3	21.4	7/16	HC208RG	ASE208	1.93
		1-15/16	7-3/64	5-7/16	1-57/64	35/64	1-1/32	3/4	3-57/64	2.217	0.843				
HCASE209	45	54	192	150	48	14	29	21.5	107	56.3	21.4	7/16	HC209RG	ASE209	2.22
		2-1/8	7-9/16	5-29/32	1-57/64	35/64	1-9/64	27/32	4-7/32	2.217	0.843				
HCASE210	50	57.2	200	158	54	18	23	21.5	115	62.7	24.6	5/8	HC210RG	ASE210	2.82
		2-1/4	7-7/8	6-7/32	2-1/8	45/64	29/32	27/32	4-17/32	2.469	0.969				
HCASE211	55	63.5	222	176	60	18	30	22.5	124.5	71.4	27.8	5/8	HC211RG	ASE211	3.51
		2-1/2	8-47/64	6-59/64	2-23/64	45/64	1-3/16	57/64	4-29/32	2.811	1.094				
HCASE212	60	69.9	240	190	60	18	28	25	140	77.8	31	5/8	HC212RG	ASE212	4.64
		2-3/4	9-29/64	7-31/64	2-23/64	45/64	1-7/64	63/64	5-33/64	3.063	1.220				
HCASE213	65	76.2	257	200	64	25	35	27	150	85.7	34.1	7/8	HC213RG	ASE213	5.60
		3	10-1/8	7-7/8	2-23/64	63/64	1-3/8	1-1/16	5-29/32	3.374	1.343				
HCASE214	70	79.4	260	203	65	22	28	27.5	156	85.7	34.1	3/4	HC214RG	ASE214	6.05
		3-1/8	10-15/64	8	2-9/16	55/64	1-7/64	1-5/64	6-9/64	3.374	1.343				
HCASE215	75	82.5	265	210	66	22	30	27.5	164	92.1	37.3	3/4	HC215RG	ASE215	6.77
		3-1/4	10-7/16	8-17/64	2-19/32	55/64	1-3/16	1-5/64	6-29/64	3.626	1.469				
HCASE216	80	89	290	232	78	26	34	30	175	95.2	37.3	7/8	HC216RG	ASE216	8.83
		3-1/2	11-27/64	9-1/8	3-1/16	1-1/32	1-11/32	1-3/16	6-57/64	3.748	1.469				
HCASE218	90	101.6	330	268	85	27	35	35	200	72.6	24.5	7/8	HC218RG	ASE218	11.75
		4	12-31/32	10-35/64	3-11/32	1-1/16	1-3/8	1-3/8	7-7/8	2.858	0.965				