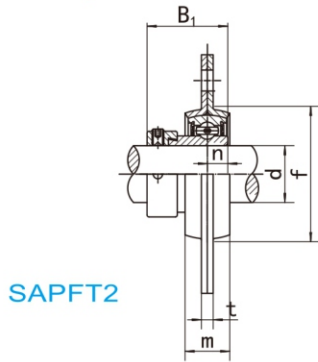
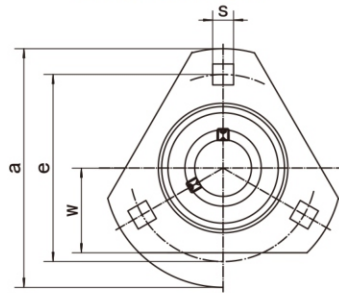


**SAPFT2**  
(SA2-Fitted)

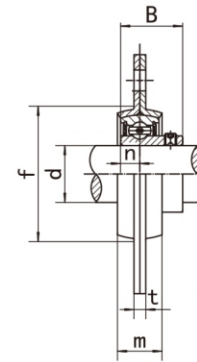


SAPFT2

**Pressed Housing Flange Units**  
(Light duty)



**SBPFT2**  
(SB2-Fitted)



SBPFT2

Unit NO.	Dimensions ( mm / in. )										Bolt Size mm/in.	Bearing No.	Housing No.	Weight (kg)
	d	a	e	b	m	S	t	f (min)	B <sub>1</sub>	n				
SAPFT 201 201-8	12 1/2	81 3-3/16	63.5 2-1/2	28.5 1-1/8	14 9/16	7.1 9/32	4 0.157	49 1-59/64	28.6 1.1260	6.5 0.2559	M6	SA201 SA201-8	PFT204	0.26
SAPFT 202 202-9 202-10	15 9/16 5/8										M8	SA202 SA202-9 SA202-10	PFT204	
SAPFT 203 203-11	17 11/16										M8	SA203 SA203-11	PFT204	
SAPFT 204 204-12	20 3/4	90 3-35/64	71.5 2-13/16	33 1-19/64	16 5/8	9 23/64	4 0.157	56 2-13/64	31 1.2204	7.5 0.2953	M8 5/16	SA204 SA204-12	PFT204	0.28
SAPFT 205 205-13 205-14 205-15 205-16	25 13/16 7/8 15/16 1	95 3-3/4	76 2-63/64	35 1-3/8	18 23/32	9 23/64	4 0.157	60 2-23/64	31 1.2204	7.5 0.2953	M8 5/16	SA205 SA205-13 SA205-14 SA205-15 SA205-16	PFT205	0.32
SAPFT 206 206-17 206-18 206-19 206-20	30 1-1/16 1-1/8 1-3/16 1-1/4	113 4-7/16	90.5 3-9/16	40 1-37/64	18 23/32	11 7/16	5.2 0.205	71 2-51/64	35.7 1.4055	9 0.3543	M10 3/8	SA206 SA206-17 SA206-18 SA206-19 SA206-20	PFT206	0.50
SAPFT 207 207-20 207-21 207-22 207-23	35 1-1/4 1-5/16 1-3/8 1-7/16	122 4-13/16	100 3-15/16	44.5 1-3/4	20 25/32	11 7/16	5.2 0.205	81 3-3/16	38.9 1.5315	9.5 0.3740	M10 3/8	SA207 SA207-20 SA207-21 SA207-22 SA207-23	PFT207	1.07

Unit NO.	Dimensions ( mm / in. )										Bolt Size mm/in.	Bearing No.	Housing No.	Weight (kg)
	d	a	e	b	m	S	t	f (min)	B	n				
SBPFT 201 201-8	12 1/2	81 3-3/16	63.5 2-1/2	28.5 1-1/8	14 9/16	7.1 9/32	4 0.157	49 1-59/64	22 0.8661	6 0.2362	M6	SB201 SB201-8	PFT204	0.23
SBPFT 202 202-9 202-10	15 9/16 5/8										M8	SB202 SB202-9 SB202-10	PFT204	
SBPFT 203 203-11	17 11/16										M8	SB203 SB203-11	PFT204	
SBPFT 204 204-12	20 3/4	90 3-35/64	71.5 2-13/16	33 1-19/64	16 5/8	9 23/64	4 0.157	56 2-13/64	25 0.9843	7 0.2756	M8 5/16	SB204 SB204-12	PFT204	0.24
SBPFT 205 205-13 205-14 205-15 205-16	25 13/16 7/8 15/16 1	95 3-3/4	76 2-63/64	35 1-3/8	18 23/32	9 23/64	4 0.157	60 2-23/64	27 1.0630	7.5 0.2953	M8 5/16	SB205 SB205-13 SB205-14 SB205-15 SB205-16	PFT205	0.28
SBPFT 206 206-17 206-18 206-19 206-20	30 1-1/16 1-1/8 1-3/16 1-1/4	113 4-7/16	90.5 3-9/16	40 1-37/64	18 23/32	11 7/16	5.2 0.205	71 2-51/64	30 1.1811	8 0.3150	M10 3/8	SB206 SB206-17 SB206-18 SB206-19 SB206-20	PFT206	0.44
SBPFT 207 207-20 207-21 207-22 207-23	35 1-1/4 1-5/16 1-3/8 1-7/16	122 4-13/16	100 3-15/16	44.5 1-3/4	20 25/32	11 7/16	5.2 0.205	81 3-3/16	32 1.2598	8.5 0.3346	M10 3/8	SB207 SB207-20 SB207-21 SB207-22 SB207-23	PFT207	0.58